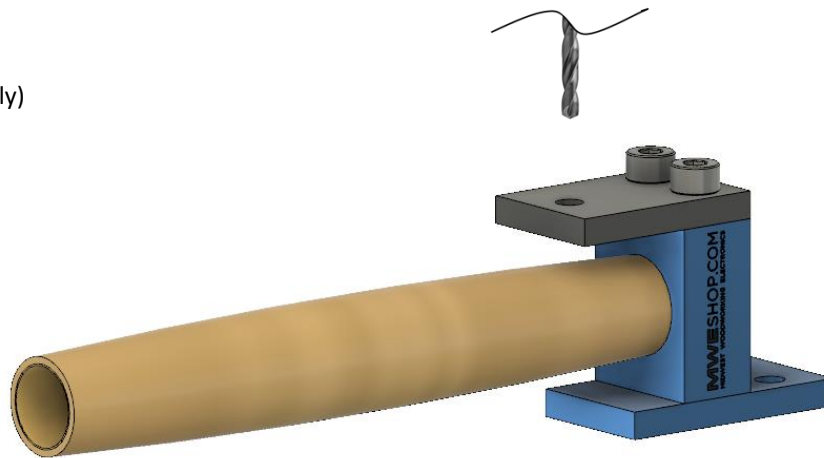


MWE Jig (Sold Separately)

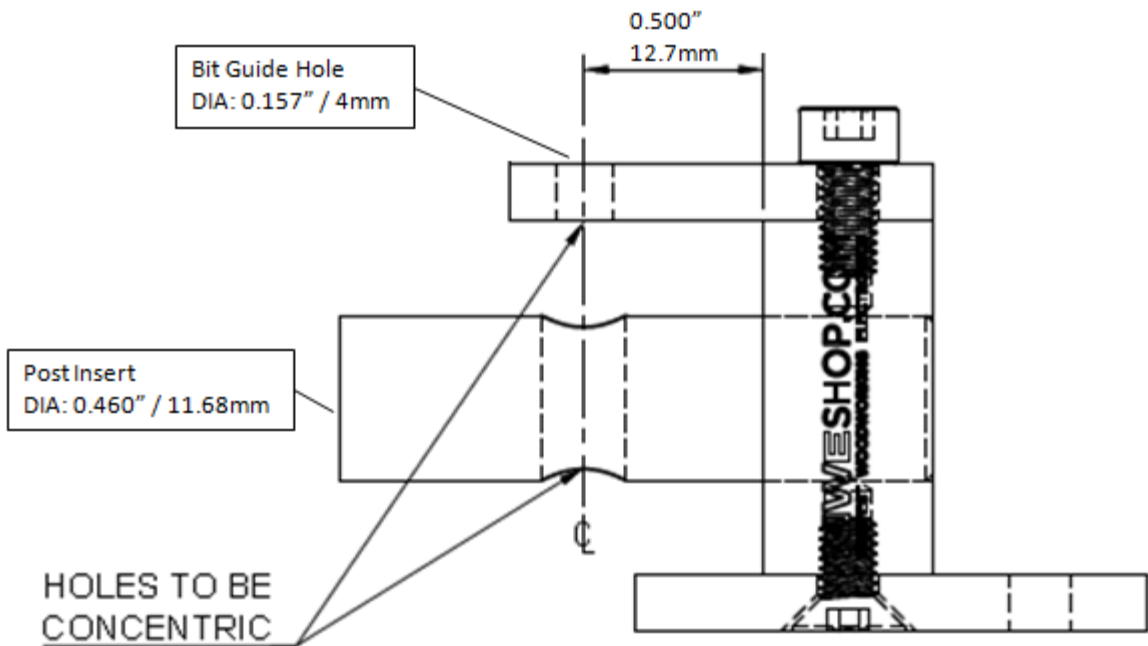
### JIG DIAGRAM

MWE offers a Jig (sold separately) to precisely drill the On/Off Button hole on the Laser Pointer Body. If preferred, you can fabricate a Jig in your workshop. The dimensions to do so can be found below.



- 1) Post insert diameter for the Brass Tube is 0.460" (11.68mm)
- 2) The On/Off Button hole is centered 0.5" (12.7mm) from the end of the Laser Pointer Body
- 3) The bit guide hole is 0.157" (4mm) to accommodate a 5/32" drill bit

NOTE: For best results use a standard drill bit. A brad point drill bit is not recommended.



| Model       | Class    | Product       | LASER LIGHT DO NOT STARE INTO BEAM | 635nm |
|-------------|----------|---------------|------------------------------------|-------|
| LM01-635C2  | Class 2  | Laser Product | AVOID DIRECT EYE EXPOSURE          | 515nm |
| LM01-515C2  | Class 2  | Laser Product | AVOID DIRECT EYE EXPOSURE          | 635nm |
| LM01-635C3R | Class 3R | Laser Product | AVOID DIRECT EYE EXPOSURE          | 515nm |
| LM01-515C3R | Class 3R | Laser Product | AVOID DIRECT EYE EXPOSURE          | 635nm |

